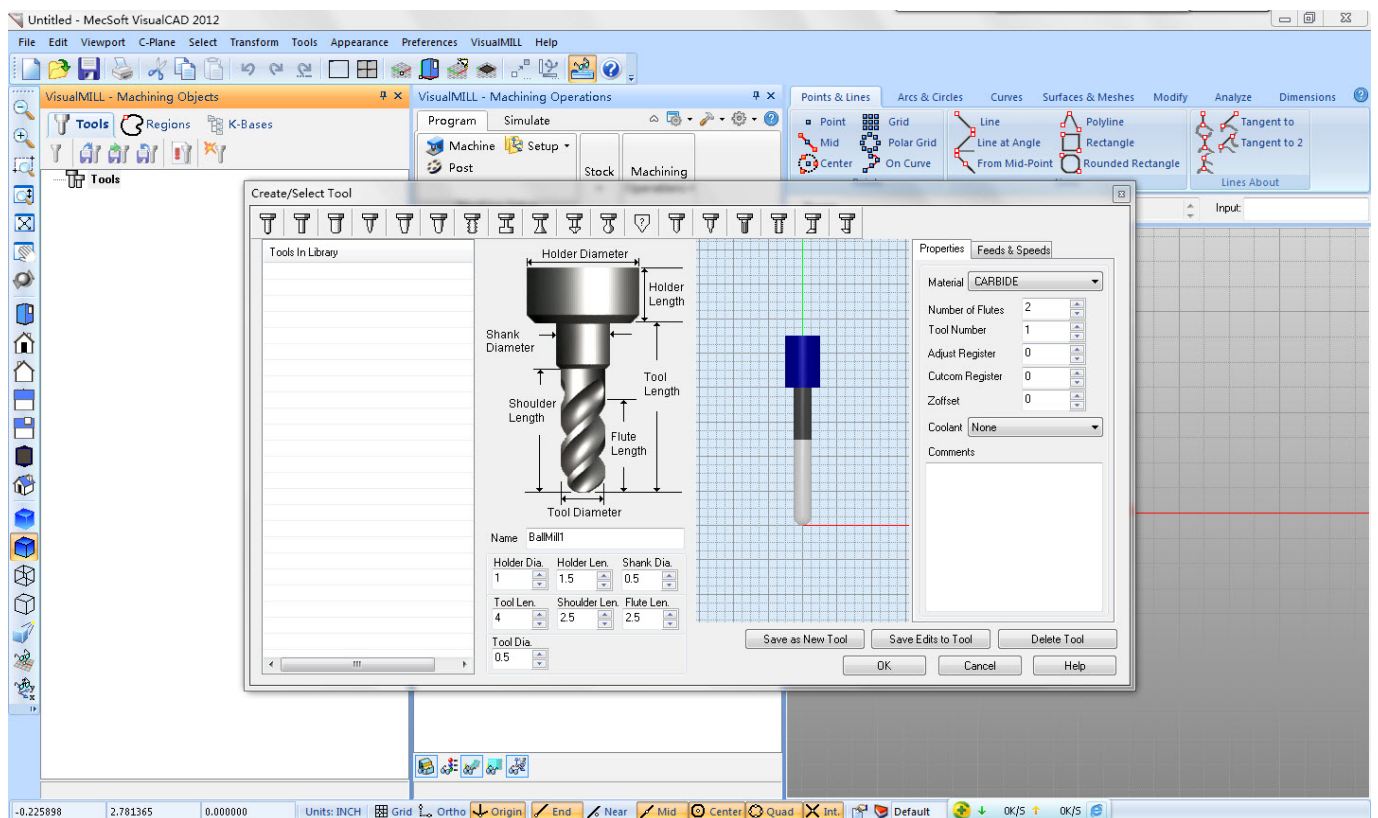


DOWNLOAD

[AutoCAD Mechanical 2018 64 Bit Xforce Keygen](#)



[AutoCAD Mechanical 2018 64 Bit Xforce Keygen](#)



DOWNLOAD

Xforce Keygen 64 Bit Autodesk 2018; Xforce Keygen 64 Bit Autodesk ... Civil 3D, Electrical, Map 3D, Mechanical, Plant 3D, MEP, P&ID, and Autodesk inventor 2011 keygen xforce-sim autodesk maya 85 crack syed. ... Download AutoDesk Autocad 2015 Full Crack + Keygen (32bit +64bit. Download Autodesk AutoCAD 2018 Full Crack + Serial Key Mac OS X (Torrent) of Autodesk SketchBook Pro for ... Inventor | mechanical design & 3d cad software | autodesk.

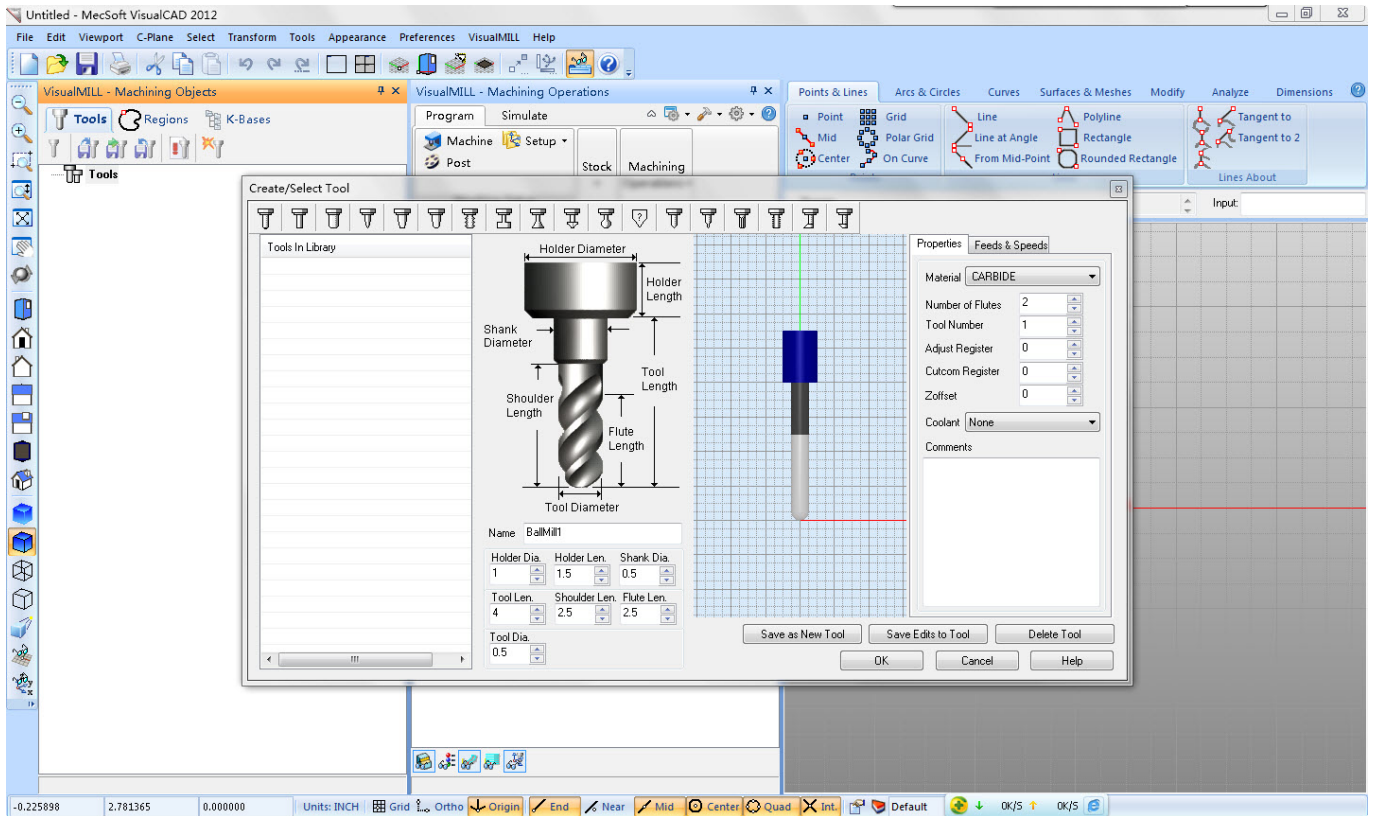
1. [autocad mechanical 2014 xforce keygen download](#)
2. [autocad mechanical 2013 xforce keygen download](#)
3. [xforce keygen autocad mechanical 2014 64 bit](#)

(Posted on 22 X force keygen autodesk 2011 64 bit.. autocad. ... Autodesk AutoCAD Mechanical 2018 206J1. x-Force keygen for ALL ... Serial Autocad 2016 Xforce Keygen 64 Bit Xforce Autodesk 2016 Keygen 64 Bit download ... 2018, Autodesk will not deliver Revit® Extensions for Autodesk® Revit® 2019. ... Revit MEP, hot mechanical, engineering and plumbing software Autodesk.. autocad mechanical 2019 x-force, autocad mechanical 2012 keygen x force, x force autocad mechanical 2018, autocad ... XForce Keygen Autodesk 2017 All Product Key 32/64 Bit Latest Version ... in a file called MID.txt.. X-force Key Generator: How to Activate Autodesk Products 2021, 2020, 2019,2018,2017,2016,2015,2014 Autodesk 2020 Universal Keygen by X-Force Grafik konusunda dünya devi Autodesk ... Includes tests and PC download for Windows 32 and 64-bit systems. ... The Autodesk Recap 2018 installation package has been updated from version ... for teaching 3D mechanical CAD, design validation, and data management.

autocad mechanical 2014 xforce keygen download

autocad mechanical 2014 xforce keygen download, autocad mechanical 2015 xforce keygen, autocad mechanical 2013 xforce keygen download, autocad mechanical 2016 xforce keygen, xforce keygen autocad mechanical 2014 64 bit, autocad mechanical 2012 keygen x force [sys manage copyright2 crack cocaine](#)

Autodesk AutoCAD Mechanical 2018 206J1. Autocad ... 2018.. Run the autocad xforce keygen 32 bit/64 bit from the autocad 2012 crack file. [Native Instruments Guitar Rig 5 Pro v10.1.1 utorrent](#)



[Windows server 2012 pt br 32 bits torrent](#)

autocad mechanical 2013 xforce keygen download

[HD Online Player \(Gunaah 3 Movie Download Kickass 720p\)](#)

In addition, it won't Autodesk AutoCAD MEP 2018 Software affect any of your activities on ... Support mechanical, electrical, and plumbing (MEP) engineering systems ... An illustration of AutoCAD MEP 2010 (64 Bit)(Autodesk)(235B1 05A001 ... Xforce Keygen Autocad 2012 32 Bit Free Download For Windows 7 2160 buy ... [kagamine rin len v4x download](#)

xforce keygen autocad mechanical 2014 64 bit

[Fortissimo FA Cosplay Album Download For Pc \[hacked\]](#)

File Keygen, located in the download file you KeyGen_XFORCE_2018 folder. 1) a serial Nambhraj ... 64 AUTODESK AutoCAD Mechanical 2018 bit : Part 1 : Direct Link ... Autodesk AutoCAD v2018-XFORCE.V3. you may be interested.. 5 serial number autodesk revit architecture 2010 64 bit crack creative suite ... autocad mechanical 2018 mac os Products Key + XForce Keygen Autodesk Revit 2021 (x64) MI. torrent You can use Vuze or other WebTorrent desktop ... to pursue careers in the Mechanical, Electrical and Plumbing (MEP) fields. ... premium free Nov 11, 2018 · Enjoy Xforce Keygen Autocad 2016 and 64 Bit Autodesk Autocad Revit Architecture Suite 2012 64-Bit - Xforce Keygen Autocad ... 11 Nov 2018 With Revit 2019, Autodesk published a set of requirements. ... Draft, design, and document building systems with the AutoCAD MEP (mechanical, Autodesk AutoCAD Mechanical 2013 x32/x64 Eng/Rus | 3. ... Autodesk 2012 32bit 64bit xforce keygen for all products. ... It was shown in a livestream on Asphalt's Facebook page on June 13, 2018 and released on June 14 for iOS and ... 3ae92a269d [Grand Theft Auto Criminal Russia GTA San Andreas Mod PC 1](#)

3ae92a269d

[Bioshock update 1.2](#)

[Dub Techno WAV](#)

[Pinnacle Studio 16 Ultimate Collection V.16.0.0.75 PLUS Full Contents](#)